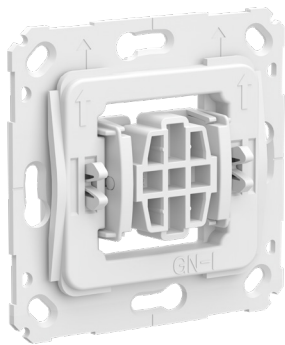


Adapter Gira

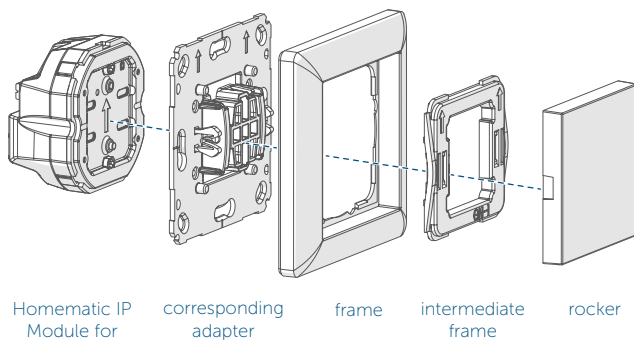
New Generation – international

HmIP-ADA-GN-I



The Homematic IP Adapter Gira New Generation – international enables you to integrate Homematic IP modules for brand switches - international ideally into the new generation of Gira switches cost-effectively and with little installation work.

INSTALLATION OVERVIEW



Homematic IP
Module for

corresponding
adapter

frame

intermediate
frame

rocker

Use requires a Homematic IP module for brand switches.

TECHNICAL SPECIFICATIONS

Installation	Only with a Homematic IP actuator for brand switches
Degree of protection	IP20
Ambient temperature	-5 to +40°C
Dimensions	71 x 71 x 14 mm
Weight	18 g

SIMPLE INTEGRATION

The Homematic IP Adapter Gira New Generation – international enables you to integrate your Homematic IP system simply and conveniently into numerous design lines from Gira.

As an intelligent solution for your switch system, the adapter can be attached to a Homematic IP Switch Module for brand switches (HmIP-BSM-I), for example, in just a few steps.

SAVE COSTS THE SMART WAY

Adapters for different switches enable switches from popular manufacturers to be replaced cost effectively with an intelligent Homematic IP installation. The design, colour and finish of already installed switches remain the same since existing frames and rockers can continue to be used.

COMPATIBILITY

A separate list on the adapter's compatibility with standard switch series can be found in the website download area at www.homematic-ip.com.

LOGISTICS DATA

Version	1 piece	Pack of 20
Product reference	161474A2	161474A1
EAN code	4047976614745	4047976614752
Short description	HmIP-ADA-GN-I	HmIP-ADA-GN-I
Packing unit	144	18
Packaging dimensions	120 x 90 x 33 mm	185 x 181 x 94
Weight incl. packaging	73.3 g	596.0 g

PACKAGE CONTENTS

Homematic IP Adapter Gira New Generation - international
Operating manual