

HmIP-CI-PL

Indoor Camera – plus



Installation instructions and
operating manual

homematic 

Table of contents

1 Package contents.....	3
2 Information about this manual.....	3
3 Hazard information.....	3
4 General system information.....	4
5 Function and device overview.....	4
6 Start-up.....	5
6.1 Installation.....	5
6.2 Pairing with a control unit.....	6
7 Operation.....	7
7.1 Adjusting device settings.....	7
7.2 Operation of the camera.....	8
8 Troubleshooting.....	9
8.1 Flashing codes.....	9
9 Restoring the factory settings.....	10
10 Maintenance and cleaning.....	11
11 Disposal.....	11
12 Technical specifications.....	12

Documentation © 03/2026 eQ-3 AG, Germany

All rights reserved. No part of this manual may be reproduced in any form or duplicated or processed using electronic, mechanical or chemical processes without the written consent of the publisher.

It is possible that this manual may contain typographical errors or printing errors. However, the information contained in this manual is reviewed on a regular basis and any necessary corrections will be implemented in the next edition. We accept no liability for technical or typographical errors or the consequences thereof. All trademarks and industrial property rights are acknowledged.

Changes in line with technical progress may be made without prior notice.

Version 1.2

1 Package contents

1x Indoor Camera – plus
3x screws (3 × 30 mm, stainless steel)
3x dowels (4 × 30 mm)
1x mounting plate
1x mains adapter (output: 5 V DC, 1 A), white
1x USB-C cable, length: 2 m ± 0.05 m, white
Operating manual

2 Information about this manual

Read this manual carefully before beginning operation with your Homematic IP device. Keep the manual for later consultation. If you hand the device over to other persons for use, please ask them to read this manual.

Symbols used



This indicates a hazard.



This section contains important additional information.

3 Hazard information



We accept no liability for damage caused by use for other than the intended purpose, incorrect handling or failure to observe the hazard warnings. In such cases, all warranty claims are void. We accept no liability for consequential damage.



Do not use the device if it has visible damage or a malfunction. If you have any doubts, have the device checked by a qualified expert.



For safety and licensing reasons (CE), unauthorised conversions to and/or modification of the device are not permitted.



The device is not a toy – do not allow children to play with it.



Plastic film, plastic bags, polystyrene parts, etc. can be dangerous for children. Keep the packaging material out of the reach of children and dispose of it immediately.



Do not expose the device to moisture, vibrations, constant solar or other heat radiation, excessive cold or mechanical loads. The device must only be operated indoors.



Connect the device to an easily accessible mains plug socket. The mains plug must be pulled out if a hazard occurs.



Use the device only in permanently installed sockets with protective contacts. Do not use it in multiple socket outlets or with extension cables.



Always route cables in such a way that they do not become a risk to people, pets or domestic animals.



Clean the device using a soft and dry lint-free cloth. The cloth can be slightly moistened with lukewarm water to remove more stubborn marks. Do not use solvent-based cleaning agents for cleaning, as these can damage plastic parts and labelling.

4 General system information

This device forms part of the Homematic IP Smart Home system and communicates via the Homematic IP radio protocol. All devices of the system can be configured comfortably and individually using the Homematic IP app. Operation requires connection to a Homematic IP Access Point or control unit. Further information on the system and on combination with other Homematic IP devices can be found in the Homematic IP [User guide](#).

All technical documents and updates are to be found at www.homematic-ip.com.

5 Function and device overview

The indoor camera – plus enables reliable indoor video surveillance and communicates with the Homematic IP app via the WiFi network. The app allows a live video and audio stream to be set up at any time for real-time surveillance of the monitored environment. Movements are detected quickly and automatically sent to the residents via push notification so that they are immediately informed and can react if necessary.

The device supports the following functions:

- **Pan and tilt:** Enables flexible horizontal and vertical orientation of the camera using a swipe gesture to view the entire surveillance area.
- **Mirror video:** Adjusts the image orientation so that the video is displayed correctly regardless of the mounting position.
- **Intelligent motion detection:** Detects movement in the field of view

and sends push notifications to users.

- **Recording function:** Can record around the clock and saves data either permanently on an SD card or as short event clips in the cloud.
- **Day and night operation:** Utilises night vision technology to provide clear and detailed images even in the dark.
- **Noise detection (AI-powered):** Enable or disable notifications triggered by noise.

Device overview

- A) Microphone
- B) Lens
- C) Status LED
- D) Micro SD card slot
- E) Reset button
- F) Stand or wall mount
- G) USB-C interface
- H) Loudspeaker
- I) Plug-in mains adapter

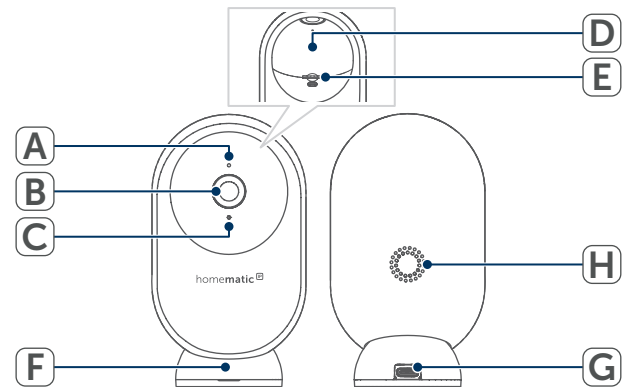


Figure 1

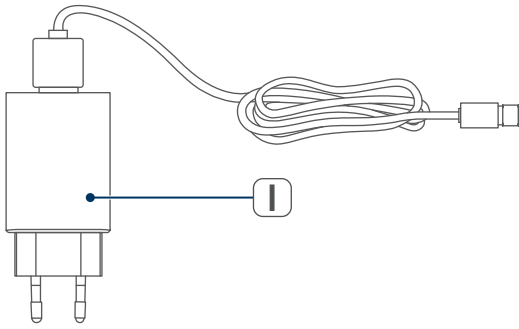


Figure 2

i Cloud operation by third-party manufacturers: the audio/video files are forwarded to the Homematic IP system over cloud servers in Germany. The maximum video length is 6 seconds per clip. All clips are overwritten after 7 days at the latest. Please observe the legal requirements concerning the use of surveillance cameras. Further information can be found in the Homematic IP app EULA and privacy policy.

6 Start-up

6.1 Installation

The indoor camera – plus comes with a plug-in mains adapter and a mounting plate for ceiling installation. Thanks to its compact design and the stand, the device can be set up in different positions indoors and perfectly aligned.

i Position the camera as far as possible within the recommended WiFi range of your router. Long distances or multiple structural obstacles can impair the signal quality. Avoid sources of interference.

i Ensure that the router is not surrounded by furniture, cupboards or metal surfaces. A clear line of sight improves signal strength.

Installing on a flat surface

- Select a flat surface (e.g. shelf, sideboard or table).
- Place the camera on the stand.

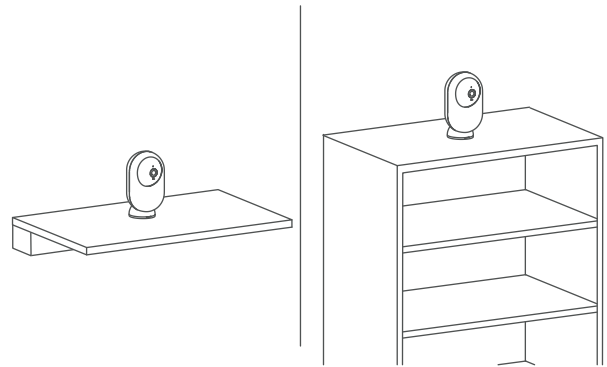


Figure 3

Ceiling installation

- i** When selecting the installation location, check for electric cables or other utility lines.
- i** Install the camera as centrally as possible in the room so that the full pan and tilt range can be used.
- i** Avoid installing behind lamps, plants, beams or curtains, as these can restrict the field of view.
- i** Do not install the camera in the immediate vicinity of bright lamps or windows to avoid glare and poor image quality.
- i** Ensure that there is a stable WiFi signal at the planned location to prevent loss of connection.

- i** Take the length of the cable into account and plan the cable routing so that there is no risk of tripping.
- !** Use only the original power supply unit supplied to power the device.
 - Hold the mounting plate at the desired position on the ceiling and mark two drill holes with a pencil.
 - Use an appropriate drill to drill holes at the markings.
- i** For stone/concrete walls, use a 5 mm drill bit for the dowels. For wooden walls, use a 1.5 mm drill bit to make it easier to screw in the screws.
 - Install the mounting plate on the ceiling by inserting the dowels supplied and screwing in the screws.

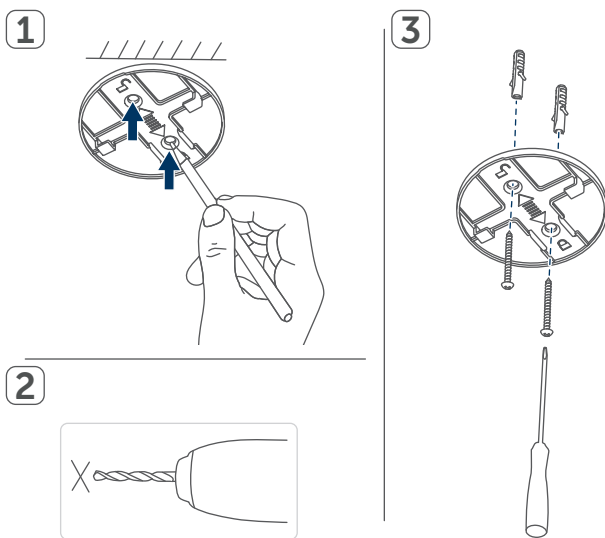


Figure 4

- Install the camera in the mounting plate.

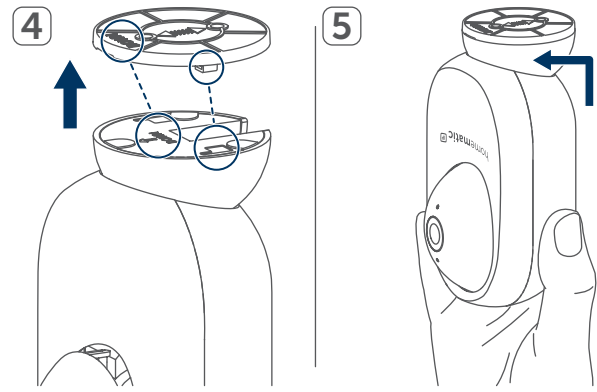


Figure 5

- Align the camera roughly with the area to be monitored.
- Connect the cable of the plug-in mains adapter to the camera.
- Plug the mains adapter into a suitable plug socket. The camera starts automatically.

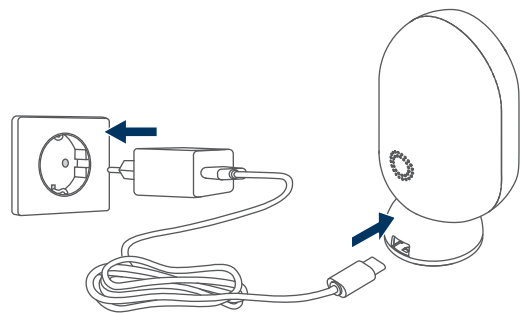


Figure 6

- Tilt or pan the camera until the viewing area is covered.
- After pairing with the Homematic IP app, check that the live image is displayed correctly. Make further adjustments, if necessary.

6.2 Pairing with a control unit

- i** Read this entire section before starting the pairing procedure.



Set up your Homematic IP control unit via the Homematic IP app so that you can use Homematic IP devices in the system. Detailed information on this is to be found in the operating manual for the control unit.

- Open the Homematic IP app.
- Tap on **...More** in the homescreen.
- Tap on **Pair device**.
- Connect the power supply.
- Wait until the camera has been initialised.
- Tap **Scan QR code** and scan the enclosed QR code. (The device does not appear automatically in the Homematic IP app.)
- Connect the camera to your WiFi network. Select a 2.4 or 5 GHz WiFi network and enter the corresponding password.
- Point the camera at the QR code displayed in the app.
- An acoustic signal sounds as soon as the QR code has been successfully scanned.
- The device is now ready for use. The camera LED has a steady blue light.
- Then follow the instructions in the Homematic IP app to make further settings.

7 Operation

If you have paired the device with a Homematic IP control unit, additional configurations are available in the device settings. You can make the necessary adjustments directly in the Homematic IP App:

7.1 Adjusting device settings

- **Alarm management:** Configure how the camera should react to security-relevant events and which notifications are sent.
- **Alarm notifications:** Enable or disable alarm notifications sent to your smartphone or tablet when movements are detected.
- **Motion detection:** Enable motion detection and set the relevant parameters.
 - **Motion alarms:** Enable or disable automatic video recording when movements are detected.
 - **Detection sensitivity:** Define how sensitively the camera should react to movements.
 - **Recording time:** Duration of the recording after an alarm
 - **Alarm interval:** Defines the minimum time between two alarms
 - **Movement tracking:** Camera follows detected movement
 - **PTZ correction:** Recalibrates the camera position
- **Noise detection:** Video recording when noise is detected

Video settings:

- **Flip the camera image**
- **Day/night mode:** Automatically adjusts the camera to bright daylight or dark environments

Audio settings:

- Microphone on/off
- Audio recording
- Loudspeaker volume
- **Private mode:** Enable or disable the camera lens or create a time profile.

- **Recording management:** Make the settings for the storage location of your recordings.
 - Storage location: SD card and/or cloud
 - Recording mode: in response to events or continuously (continuous only when using an SD card)
 - SD card information
- **General settings:** Make general settings here (e.g. LED, time format).
- **WiFi access data:** If the WiFi access data change, the camera must be reset and then paired again. Follow the instructions in the app or in section [*Restoring the factory settings*](#).

7.2 Operation of the camera

The camera is operated in the Homematic IP app either via the room to which the camera is assigned or via the alarm system.

You can access the alarm system from the app home screen by tapping the Alarm icon.

8 Troubleshooting

8.1 Flashing codes

Flashing code	Meaning	Solution
Slow red flashing	Waiting for network connection	You can continue once the network connection has been established.
Fast red flashing	Connecting to network	You can continue once the network connection has been established.
Steady blue light	Camera is working correctly	
Steady red light	Error detected Possible errors: <ul style="list-style-type: none"> • Camera starting • Camera has a malfunction 	Wait a moment until the camera has started. Please see the display on your app or contact your retailer.

9 Restoring the factory settings

i The factory settings of the device can be restored. Resetting the device to the factory settings deletes the WiFi data. The WiFi settings then have to be made again via the app. The device can then be added again. If the device has not been paired with a Central Control Unit, all the settings are lost.

Proceed as follows to restore the factory settings of the device:

- Turn the lens of the camera to access the reset button.
- Press and hold the reset button for 5 seconds.
- The network settings are reset.

The device has been reset to the factory settings. The camera can be paired again.

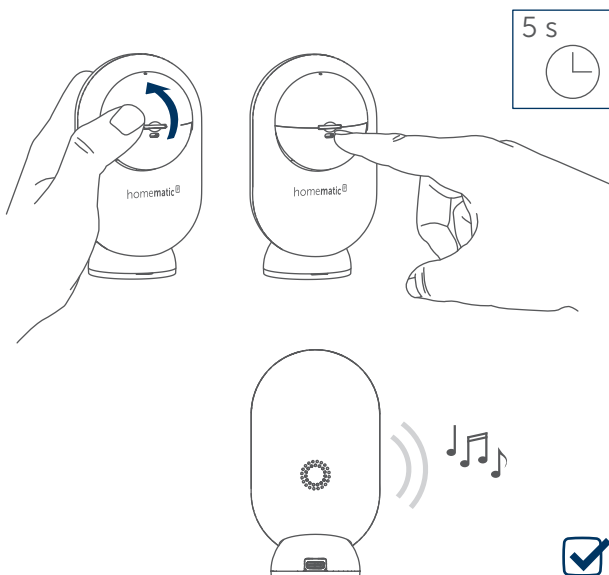




Figure 7


10 Maintenance and cleaning


 The device is maintenance-free for you. Leave any maintenance or repair to a specialist.

 If you have any technical questions about the appliance, please contact your specialist dealer.

Clean the device using a soft, clean, dry and lint-free cloth. The cloth can be slightly dampened with lukewarm water to remove more stubborn marks. Do not use any detergents containing solvents for cleaning purposes. They could corrode the plastic housing and label.

11 Disposal

 This symbol means that the device must not be disposed of as household waste, general waste, or in a yellow bin or a yellow sack. For the protection of health and the environment, you must take the product and all electronic parts included in the scope of delivery to a municipal collection point for waste electrical and electronic equipment to ensure their correct disposal. Distributors of electrical and electronic equipment must also take back waste equipment free of charge. By disposing of it separately, you are making a valuable contribution to the reuse, recycling and other methods of recovery of old devices. Please also remember that you, the end user, are responsible for deleting personal data on any waste electrical and electronic equipment before disposing of it.

 The CE mark is a free trademark that is intended exclusively for the authorities and does not imply any assurance or guarantee of properties.

12 Technical specifications

Device short designation	HmIP-CI-PL
Supply voltage	5 V DC (SELV)
Supply voltage plug-in mains adapter (input)	100 V – 240 VAC / 50 Hz
Current consumption	1,000 mA max.
Power consumption plug-in mains adapter	4.5 W
2-way audio	Half duplex
Resolution	4 MP
Image sensor	1/3" 4 Megapixel CMOS
Bit rate	32 Kbps - 2 Mbps
Effective pixels	2560 (H) × 1440 (V)
Frame rate	1-25 fps
Lens	4.0 mm @ F2.0, 85°/45°/95°
Pan / tilt	Pan: 0°–355°, Tilt: -30° to 77°
Min. brightness	Colour: 0.1 lux @ F2.0, Black/white: 0.01 lux @ F2.0
Local and cloud storage	256 GB, 6 s (event)
WLAN frequencies	2,412 – 2,472 MHz (max. power <20 dBm), 5150 – 5725 MHz (max. power <23 dBm)
WLAN security	128 bit WPA/WPA2/WPA3, WPA-PSK, WPA2-PSK, WPA3-PSK
Supported memory cards	FAT32 file system-formatted micro SD/ micro SDHC memory card
Micro SD card slot up to max. (FAT32 format)	256 GB/s
Ambient temperature	-20 to +50°C
Dimensions (W × H × D)	59 × 63 × 110 mm
Weight	161 g

Subject to modifications.

Free download of the Homematic IP app!



Bevollmächtigter des Herstellers:
Manufacturer's authorised representative:

eQ-3

eQ-3 AG
Maiburger Straße 29
26789 Leer / GERMANY
www.eQ-3.de