

HmIP-COL, HmIP-COL-A

# Outdoor Light Camera



Installation instructions and  
operating manual

homematic 

## Table of contents

1 Package contents.....	3
2 Information about this manual.....	3
3 Hazard information.....	3
4 General system information.....	4
5 Function and device overview.....	4
6 Start-up.....	5
6.1 Installation.....	5
6.2 Pairing with a control unit.....	7
7 Operation.....	8
7.1 Adjusting device settings.....	8
7.2 Operation of the camera.....	8
8 Troubleshooting.....	10
8.1 Flashing codes.....	10
9 Restoring the factory settings.....	11
10 Maintenance and cleaning.....	12
11 Disposal.....	12
12 Technical specifications.....	13

Documentation © 03/2026 eQ-3 AG, Germany

All rights reserved. No part of this manual may be reproduced in any form or duplicated or processed using electronic, mechanical or chemical processes without the written consent of the publisher.

It is possible that this manual may contain typographical errors or printing errors. However, the information contained in this manual is reviewed on a regular basis and any necessary corrections will be implemented in the next edition. We accept no liability for technical or typographical errors or the consequences thereof. All trademarks and industrial property rights are acknowledged.

Changes in line with technical progress may be made without prior notice.

Version 1.3

# 1 Package contents

1x Outdoor Light Camera  
Mounting accessories  
Operating manual

# 2 Information about this manual

Read this manual carefully before beginning operation with your Homematic IP device. Keep the manual for later consultation. If you hand the device over to other persons for use, please ask them to read this manual.

## Symbols used



This indicates a hazard.



This section contains important additional information.

# 3 Hazard information



We accept no liability for damage caused by use for other than the intended purpose, incorrect handling or failure to observe the hazard warnings. In such cases, all warranty claims are void. We accept no liability for consequential damage.



Do not use the device if it has visible damage or a malfunction. If you have any doubts, have the device checked by a qualified expert.



For safety and licensing reasons (CE), unauthorised conversions to and/or modification of the device are not permitted.



The device is not a toy – do not allow children to play with it.



Plastic film, plastic bags, polystyrene parts, etc. can be dangerous for children. Keep the packaging material out of the reach of children and dispose of it immediately.



The device has been designed solely for operation on a 230 V / 50 Hz AC supply. Work on the 230 V mains may only be carried out by a qualified electrician (in accordance with VDE 0100).



The device is part of the building installation. Observe the relevant national standards and directives during planning and set-up. The device has been designed solely for operation on a 230 V / 50 Hz AC supply. Only qualified electricians (to VDE 0100) are permitted to carry out work on the 230 V mains. The applicable accident prevention regulations must be observed while such work is being carried out. To avoid electric shocks from the device, please disconnect the mains voltage (trip the miniature circuit-breaker). Failure to comply with the installation instructions can cause fire or other hazards.



Clean the device using a soft and dry lint-free cloth. The cloth can be slightly moistened with lukewarm water to remove more stubborn marks. Do not use solvent-based cleaning agents for cleaning, as these can damage plastic parts and labelling.

## 4 General system information

This device forms part of the Homematic IP Smart Home system and communicates via the Homematic IP radio protocol. All devices of the system can be configured comfortably and individually using the Homematic IP app. Operation requires connection to a Homematic IP Access Point or control unit. Further information on the system and on combination with other Homematic IP devices can be found in the Homematic IP [User guide](#).

All technical documents and updates are to be found at [www.homematic-ip.com](http://www.homematic-ip.com).

## 5 Function and device overview

The outdoor light camera combines reliable video surveillance with intelligent lighting control for outdoor areas. Live video and audio streams can be called up at any time via the Homematic IP app. Intelligent motion detection automatically detects relevant events and reports them via push notification. The light can either be switched on when movement is detected or controlled automatically.

The device supports the following functions:

- **Panning:** Enables flexible horizontal orientation of the camera using a swipe gesture.
- **Mirror video:** Adjusts the image orientation so that the video is displayed correctly regardless of the mounting position.
- **Intelligent motion detection via PIR sensor:** The integrated PIR motion detection triggers an alarm when motion is detected, sends a

notification to the app and, as an option, can switch the light on automatically.

- **Recording function:** Can record around the clock and saves data either permanently on an SD card or as short event clips in the cloud.
- **Noise detection (AI-powered):** Enable or disable notifications triggered by noise.
- **Light control:** The light can be switched on and off via the app and can be flexibly controlled using automation routines.

### Device overview

- A) Lamp
- B) Microphone
- C) Lens
- D) PIR sensor (motion detection)
- E) Status LED
- F) Wall mount
- G) Loudspeaker
- H) SD card slot
- I) Reset button for restoring the factory settings

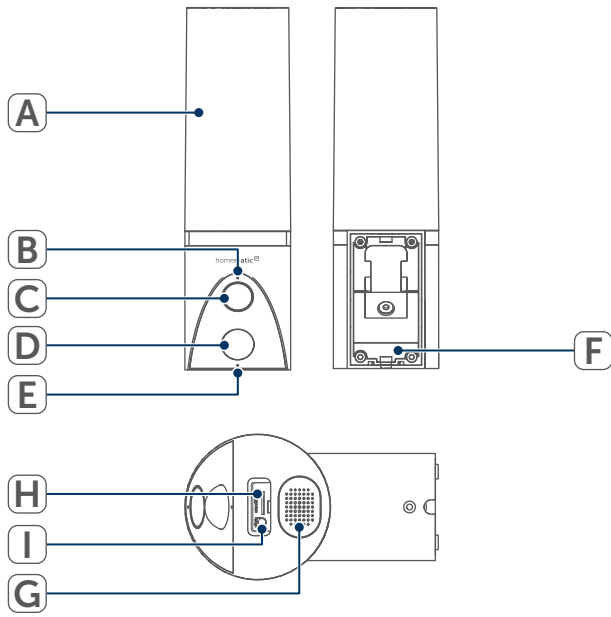


Figure 1

**i** Cloud operation by third-party manufacturers: the audio/video files are forwarded to the Homematic IP system over cloud servers in Germany. The maximum video length is 6 seconds per clip. All clips are overwritten after 7 days at the latest. Please observe the legal requirements concerning the use of surveillance cameras. Further information can be found in the Homematic IP app EULA and privacy policy.

## 6 Start-up

### 6.1 Installation

The outdoor light camera comes with a wall mount and the necessary installation materials; it is intended for fixed installation outdoors. The device is connected directly to the 230 V mains power supply. Only approved cable cross-sections may be used for installation. The cables must be correctly positioned in the wall mount to prevent the ingress of water.

Installation only by persons with relevant electrical engineering knowledge and in accordance with the applicable installation regulations (e.g. VDE 0100 / IEC 60364).

**i** Position the camera as far as possible within the recommended WiFi range of your router. Long distances or multiple structural obstacles can impair the signal quality. Avoid sources of interference.

**!** The device is part of the building installation. Observe the relevant national standards and directives during planning and set-up. The device may only be operated on a 230 V/50 Hz AC mains power supply. Work on the 230 V mains may only be carried out by a qualified electrician (in accordance with VDE 0100). The applicable accident prevention regulations must be observed while such work is being carried out. To avoid electric shocks from the device, please disconnect the mains voltage (trip the miniature circuit-breaker). Failure to observe the installation instructions can result in fire or lead to other hazards.

If changes to or work on the house installation are necessary (e.g. extension, bypass of switch or socket inserts) or to/on the low-voltage distribution system for mounting or installing the device, the following safety instructions must be observed:

**!** Only to be installed by persons with the relevant electro-technical knowledge and experience! \*

Incorrect installation can endanger

- your own life,
- and the lives of other users of the electrical system.

Incorrect installation also means that you are running the risk of serious damage to property, e.g. due to fire. You risk personal liability for personal injury and property damage.

**\*Specialist knowledge required for installation:**

The following specialist knowledge is particularly important during installation:

- The "5 safety rules" to be used:
  - Disconnect from mains
  - Secure against restart
  - Check for absence of voltage
  - Earth and short circuit
  - Cover or cordon off neighbouring live parts
- Selection of suitable tools, measuring equipment and, if necessary, personal protective equipment;
- Evaluation of measuring results;
- Selection of electrical installation material for safeguarding shut-off conditions;
- IP protection types;
- Installation of electrical installation material;
- Type of supply network (TN system, IT system, TT system) and the resulting connection conditions (classic zero balancing, protective earthing, required additional measures, etc.).

**Wall mounting**

- Ensure that the power circuit is de-energised (switch off the fuse).
- Loosen the top and bottom screws of the wall mount.

- Remove the wall mount completely from the device.

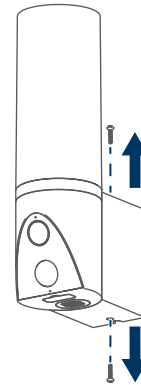


Figure 2

- Strip the insulation from the cables over a length of 11 mm.
- Use only approved cable cross-sections (0.75–1.50 mm<sup>2</sup>, rigid or flexible).

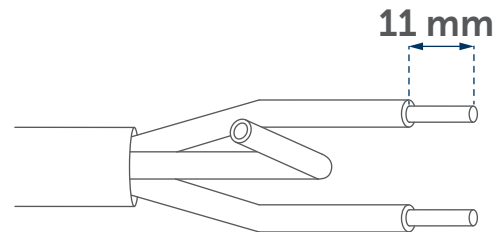


Figure 3

- Thread the prepared cables through the wall mount.
- Connect the camera directly to the power supply via the wall mount.

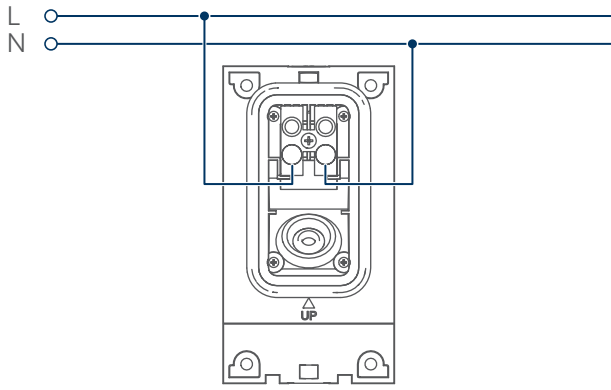


Figure 4

- Attach the wall mount to the wall using the screws supplied.

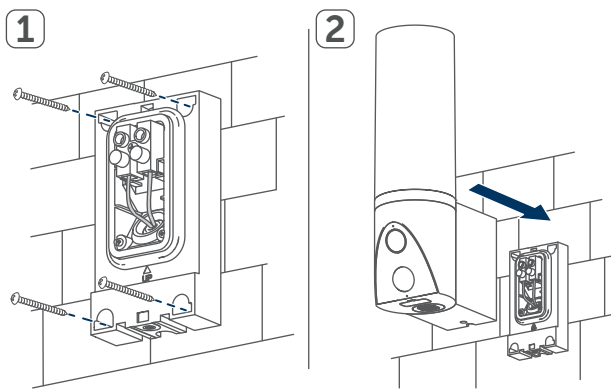


Figure 5

- Tighten the screws at the top and bottom.

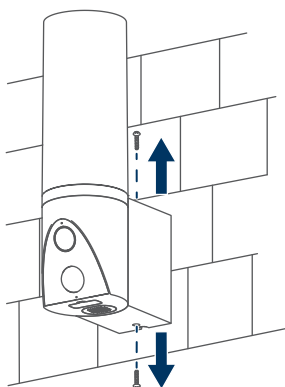


Figure 6



Ensure that the wires are securely positioned in the wall mount to prevent the ingress of water.

- Tilt or pan the camera until the viewing area is covered.
- After pairing with the Homematic IP app, check that the live image is displayed correctly. Make further adjustments, if necessary.

## 6.2 Pairing with a control unit



Read this entire section before starting the pairing procedure.



Set up your Homematic IP control unit via the Homematic IP app so that you can use Homematic IP devices in the system. Detailed information on this is to be found in the operating manual for the control unit.

- Open the Homematic IP app.
- Tap on **...More** in the homescreen.
- Tap on **Pair device**.
- Connect the power supply.
- Wait until the camera has been initialised.
- Tap **Scan QR code** and scan the enclosed QR code. (The device does not appear automatically in the Homematic IP app.)
- Connect the camera to your WiFi network. Select a 2.4 or 5 GHz WiFi network and enter the corresponding password.
- Point the camera at the QR code displayed in the app.
- An acoustic signal sounds as soon as the QR code has been successfully scanned.

- The device is now ready for use. The camera LED has a steady blue light.
- Then follow the instructions in the Homematic IP app to make further settings.

## 7 Operation

If you have paired the device with a Homematic IP control unit, additional configurations are available in the device settings. You can make the necessary adjustments directly in the Homematic IP App:

### 7.1 Adjusting device settings

- **Alarm management:** Configure how the camera should react to security-relevant events and which notifications are sent.
- **Alarm notifications:** Enable or disable alarm notifications sent to your smartphone or tablet when movements are detected.
- **Motion detection:** Enable motion detection and set the relevant parameters.
  - **Motion alarms:** Enable or disable automatic video recording when movements are detected.
  - **Detection sensitivity:** Define how sensitively the camera should react to movements.
  - **Recording time:** Duration of the recording after an alarm
  - **Alarm interval:** Defines the minimum time between two alarms
  - **Movement tracking:** Camera follows detected movement
  - **PTZ correction:** Recalibrates the camera position

- **Noise detection:** Video recording when noise is detected

#### Video settings:

- **Flip the camera image**

#### Audio settings:

- Microphone on/off
- Audio recording
- Loudspeaker volume

- **Movement light:** When this function is enabled, the integrated PIR sensor is used to switch on the light when movement is detected. In addition, the duration of the lighting after movement can be set.
- **Recording management:** Make the settings for the storage location of your recordings.
  - Storage location: SD card and/or cloud
  - Recording mode: in response to events or continuously (continuous only when using an SD card)
  - SD card information
- **General settings:** Make general settings here (e.g. LED, time format).
- **WiFi access data:** If the WiFi access data change, the camera must be reset and then paired again. Follow the instructions in the app or in section [\*Restoring the factory settings\*](#).

### 7.2 Operation of the camera

The camera is operated in the Homematic IP app either via the room to which the camera is assigned or via the alarm system.

You can access the alarm system from the app home screen by tapping the Alarm icon.



## 8 Troubleshooting

### 8.1 Flashing codes

Flashing code	Meaning	Solution
Slow red flashing	Waiting for network connection	You can continue once the network connection has been established.
Fast red flashing	Connecting to network	You can continue once the network connection has been established.
Steady blue light	Camera is working correctly	
Steady red light	Error detected Possible errors: <ul style="list-style-type: none"> <li>• Camera starting</li> <li>• Camera has a malfunction</li> </ul>	Wait a moment until the camera has started. Please see the display on your app or contact your retailer.

## 9 Restoring the factory settings

**i** The factory settings of the device can be restored. Resetting the device to the factory settings deletes the WiFi data. The WiFi settings then have to be made again via the app. The device can then be added again. If the device has not been paired with a Central Control Unit, all the settings are lost.

Proceed as follows to restore the factory settings of the device:

- Press and hold the reset button for 5 seconds.
- The network settings are reset.

The device has been reset to the factory settings. The camera can be paired again.

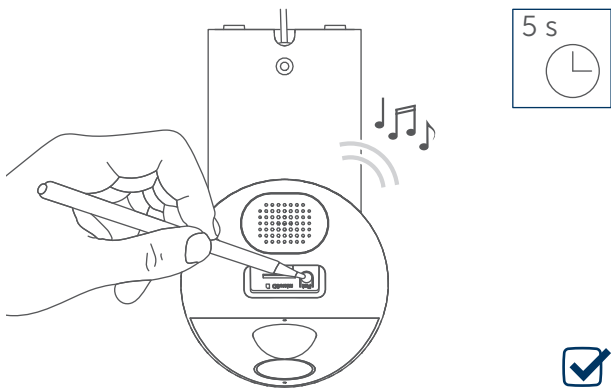


Figure 7

## 10 Maintenance and cleaning



The device is maintenance-free for you. Leave any maintenance or repair to a specialist.



If you have any technical questions about the appliance, please contact your specialist dealer.

Clean the device using a soft, clean, dry and lint-free cloth. The cloth can be slightly dampened with lukewarm water to remove more stubborn marks. Do not use any detergents containing solvents for cleaning purposes. They could corrode the plastic housing and label.

## 11 Disposal



This symbol means that the device must not be disposed of as household waste, general waste, or in a yellow bin or a yellow sack. For the protection of health and the environment, you must take the product and all electronic parts included in the scope of delivery to a municipal collection point for waste electrical and electronic equipment to ensure their correct disposal. Distributors of electrical and electronic equipment must also take back waste equipment free of charge. By disposing of it separately, you are making a valuable contribution to the reuse, recycling and other methods of recovery of old devices. Please also remember that you, the end user, are responsible for deleting personal data on any waste electrical and electronic equipment before disposing of it.



The CE mark is a free trademark that is intended exclusively for the authorities and does not imply any assurance or guarantee of properties.

## 12 Technical specifications

Device short designation	HmIP-COL, HmIP-COL-A
Supply voltage	100 – 240 VAC / 50 Hz
Power consumption plug-in mains adapter	20 W
<b>LED light</b>	
Power consumption	12 W
Brightness	1.800 lm, dimmable
Light colour	White, 3,100 K
Service life	50,000 h
PIR sensor detection range	120°, up to 10 m
2-way audio	Half duplex
Resolution	4 MP
Image sensor	1/2.7" 4 Megapixel CMOS
Bit rate	32 Kbps - 2 Mbps
Effective pixels	2560 (H) × 1440 (V)
Frame rate	1-25 fps
Lens	3.2 mm @ F2.0, 105°/55°/120°
Pan / tilt	Pan: 0°–120°
Min. brightness	Colour: 0.1 lux @ F2.0, Black/white: 0.01 lux @ F2.0
Local and cloud storage	256 GB, 6 s (event)
WLAN frequencies	2,412 – 2,472 MHz (max. power <20 dBm), 5150 – 5725 MHz (max. power <23 dBm)
WLAN security	128 bit WPA/WPA2/WPA3, WPA-PSK, WPA2-PSK, WPA3-PSK
Degree of protection	IP65
Supported memory cards	FAT32 file system-formatted micro SD/ micro SDHC memory card
Micro SD card slot up to max. (FAT32 format)	256 GB/s
Ambient temperature	-20 to +50°C
Dimensions (W × H × D)	74 × 131 × 260 mm
Weight	800 g

**Subject to modifications.**

# Free download of the Homematic IP app!



Bevollmächtigter des Herstellers:  
Manufacturer's authorised representative:

**eQ-3**

eQ-3 AG  
Maiburger Straße 29  
26789 Leer / GERMANY  
[www.eQ-3.de](http://www.eQ-3.de)